



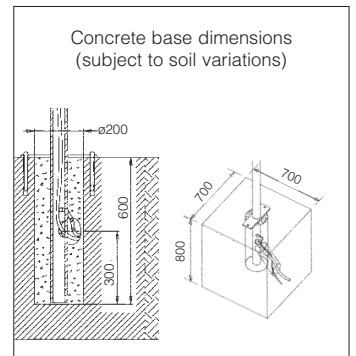
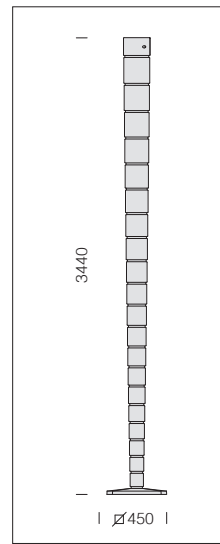
Housing/Frame: in die-cast aluminium.

Reflector: made of satin aluminium.

Painting: the standard liquid immersion coating consists of a first metal surface pre-treatment stage, a successive epoxy cathaphoresis corrosion and salt resistant coating, and a final layer of bi-component acrylic liquid UV-stabilised coating.

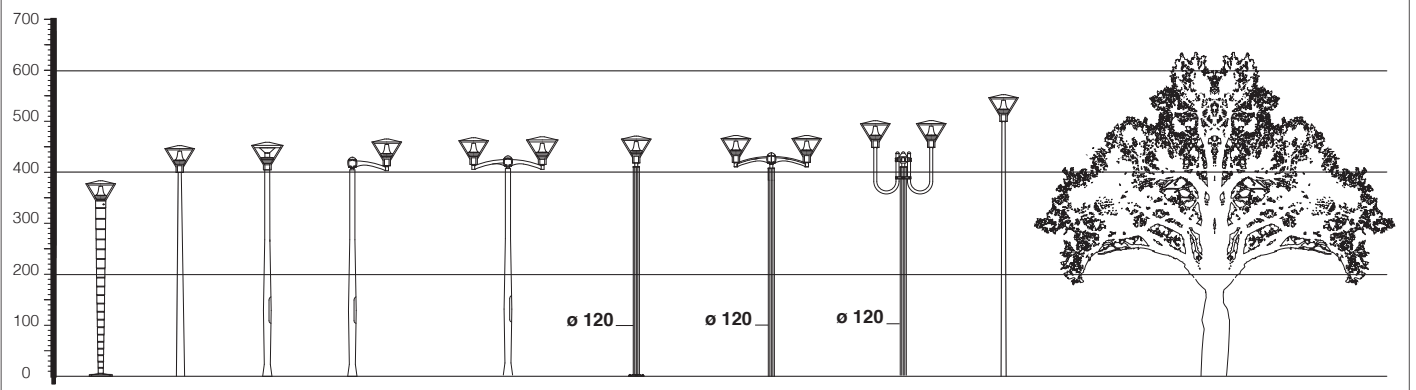
Diffuser: in vandal-resistant V2 self-extinguishing polycarbonate, UV-stabilized, smooth and clear.

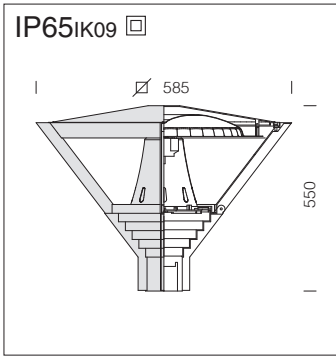
Standard supply: safety diode to protect against voltage peaks compliant with EN 61547. With dedicated electronic device to protect the LED module. Supplied with double insulation switch.



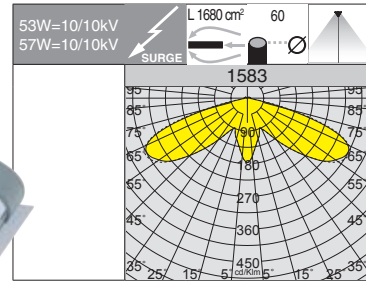
acc. 1510 Ambrosiano pole	
grey 9007	426360-00
grey	426359-00
In cast iron. Complete with base. Internal tube Ø 70mm.	

Specify pole height. For poles and accessories, see chapter: Poles





LED: Power factor ≥ 0.9 .
Luminous flux maintenance 80%:
50.000h (L80B20).



Note: when ordering, make sure you select the **AMBER LED** type best suited for your lighting design and installation needs.

1583 Vista					
wattage (1400mA)		CLD CELL		W tot	LUMEN OUTPUT (tq= 25 °C)
colour	weight	code			K - olm 1400mA - CRI
LED COB	graphite	13.30	422212-00	53	4000K - 3700lm - CRI \geq 80
LED COB	grey 9007	13.30	422213-00		
LED COB AMBER	graphite	13.30	422212-73	57	2200K - 3415lm - AMBER
LED COB AMBER	grey 9007	13.30	422213-73		

On request: possibility to control each individual light point (see table on p. XIX).

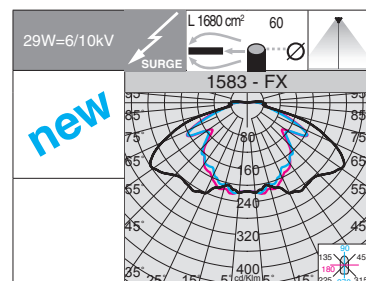
1583 Vista - light pollution preventing optical system					
wattage (1400mA)		CLD CELL		W tot	LUMEN OUTPUT (tq= 25 °C)
colour	weight	code			K - olm 1400mA - CRI
LED COB	graphite	12.50	422212-0016	53	4000K - 3441lm - CRI \geq 80
LED COB	grey 9007	12.50	422213-0016		

On request: possibility to control each individual light point (see table on p. XIX).



Optics: made of PMMA with high temperature resistance and UV rays.

LED: Power factor ≥ 0.9 .
Luminous flux maintenance 80%:
80.000h (L80B10).



1583 Vista - FX					
wattage		CLD CELL		W tot	LUMEN OUTPUT (tq= 25 °C)
colour	weight	code			K - olm - CRI
LED	graphite	12.00	422304-00	29	4000K - 3691lm - CRI 70
LED	graphite	12.00	422304-39		3000K - 3432lm - CRI 70

On request: possibility to control each individual light point (see table on p. XIX).

